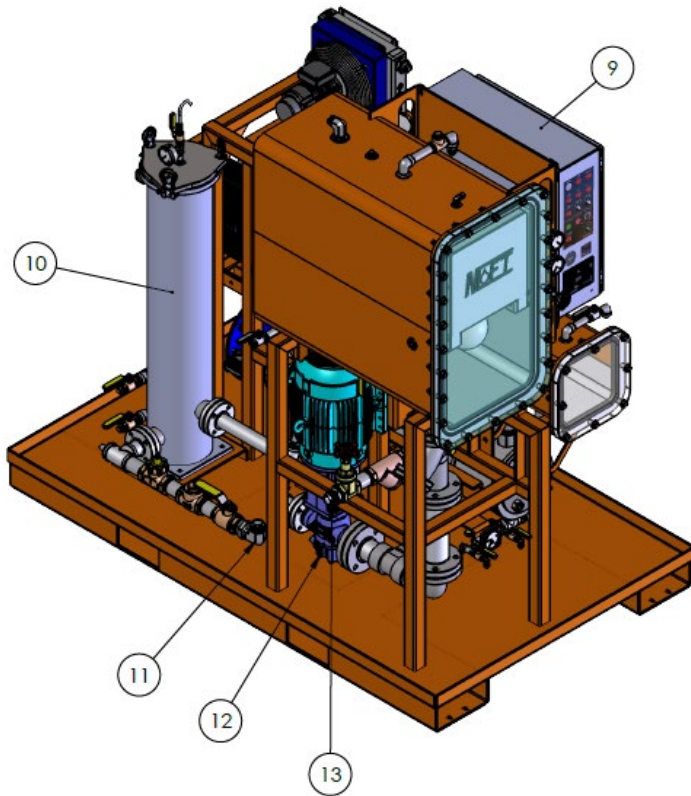
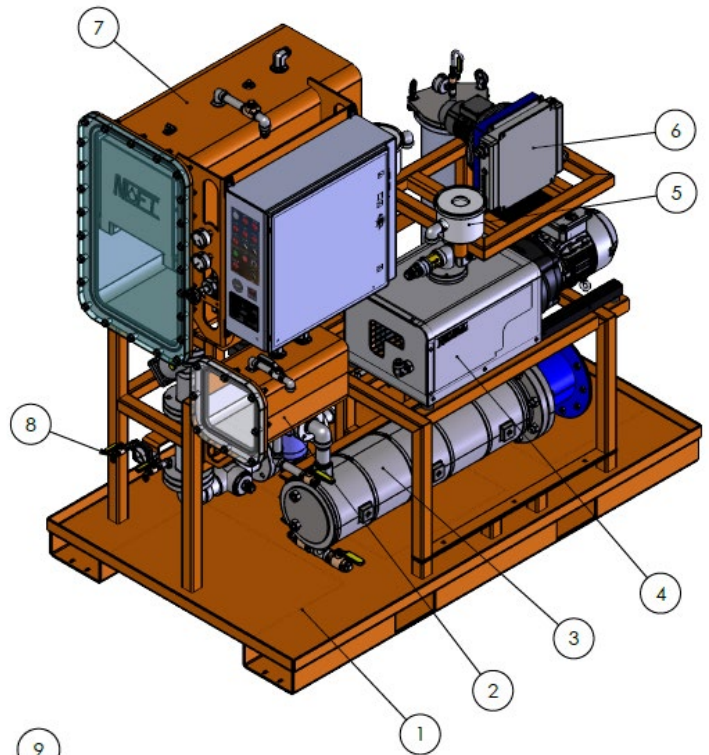


## MAIN COMPONENTS:

ITEM	DESCRIPTION
1	BASE & FRAME
2	SUMP
3	HEATER
4	VACUUM PUMP
5	COALESCER FILTER
6	CONDENSER
7	TOWER
8	DP GAUGE
9	ELECTRICAL ENCLOSURE
10	OUTLET FILTER
11	OUTLET
12	DISCHARGE PUMP
13	INLET



## OPTIONAL FEATURES:

- AUTO WATER PURGE
- PARTICLE MONITOR
- MOISTURE/HUMIDITY PROBE
- LIFTING STRUCTURE
- MODULAR STRUCTURE
- SECOND INLET
- RECIRCULATING LINES
- CHOOSE YOUR COLOR
- ADD YOUR LOGO
- FILTER BYPASS
- TOWER BYPASS
- INLET PUMP
- CUSTOM INLET/OUTLET CONNECTIONS
- VARIOUS VOLTAGES AVAILABLE
- MANY MORE CUSTOM FEATURES!

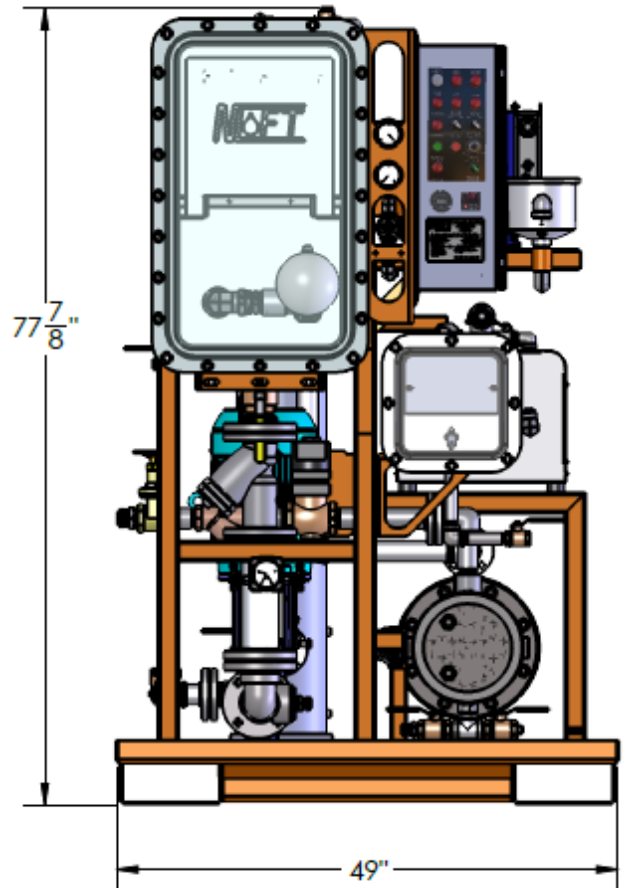
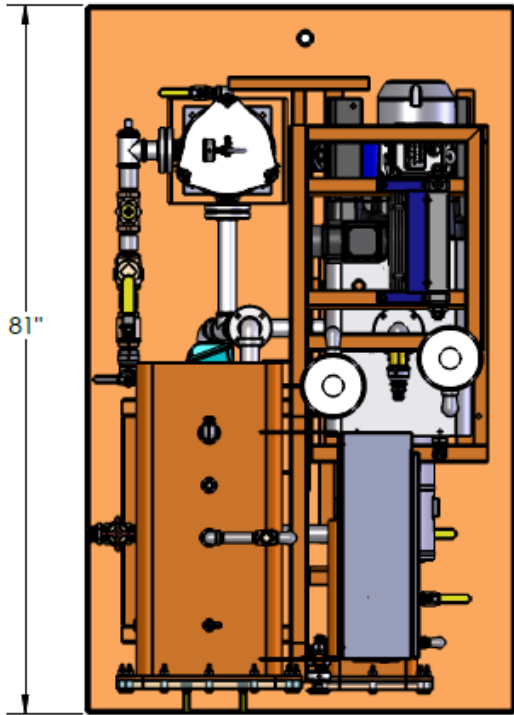


NO LIMIT OIL FILTRATION  
TECHNOLOGIES

WPRS-20-NEMA 4

### STANDARD DIMENSIONS:

DIMENTION	INCHES
LENGTH	81"
WIDTH	49"
HEIGHT	77-7/8"



### ENGINEERING SPECIFICATIONS:

VOLTAGE	460 V
PHASE	3 PHASE
FLA	48 A
INLET SIZE	1-1/2" JIC
OUTLET SIZE	1-1/2" JIC
COLOR	NLOFT ORANGE
HEATER	36 KW
MAX FLOW RATE	20 GPM
OIL FILTER ELEMENT	34" CARTRIDGE

7535 GARDNER RD, SAN ANTONIO, TX 78263  
CALL NOW! (210)-648-3095