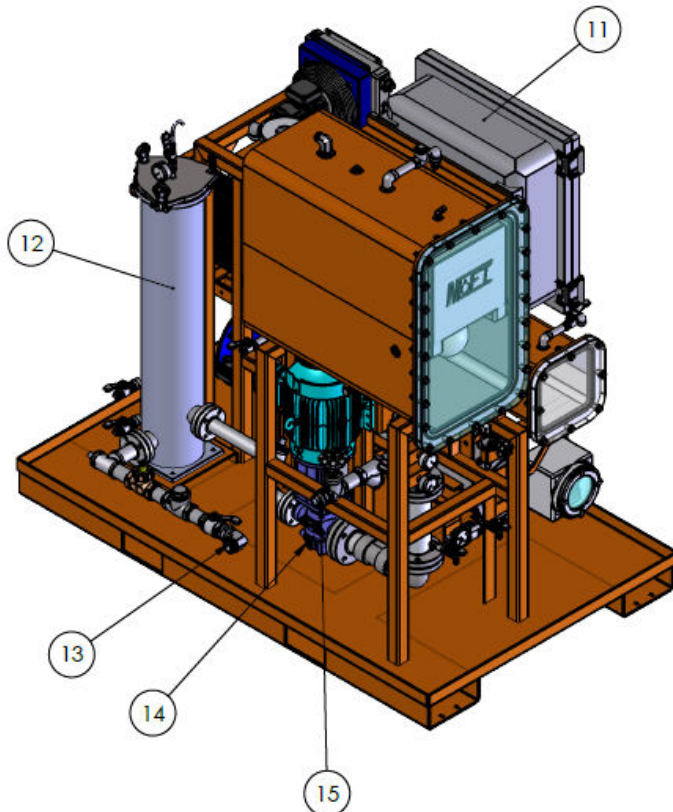
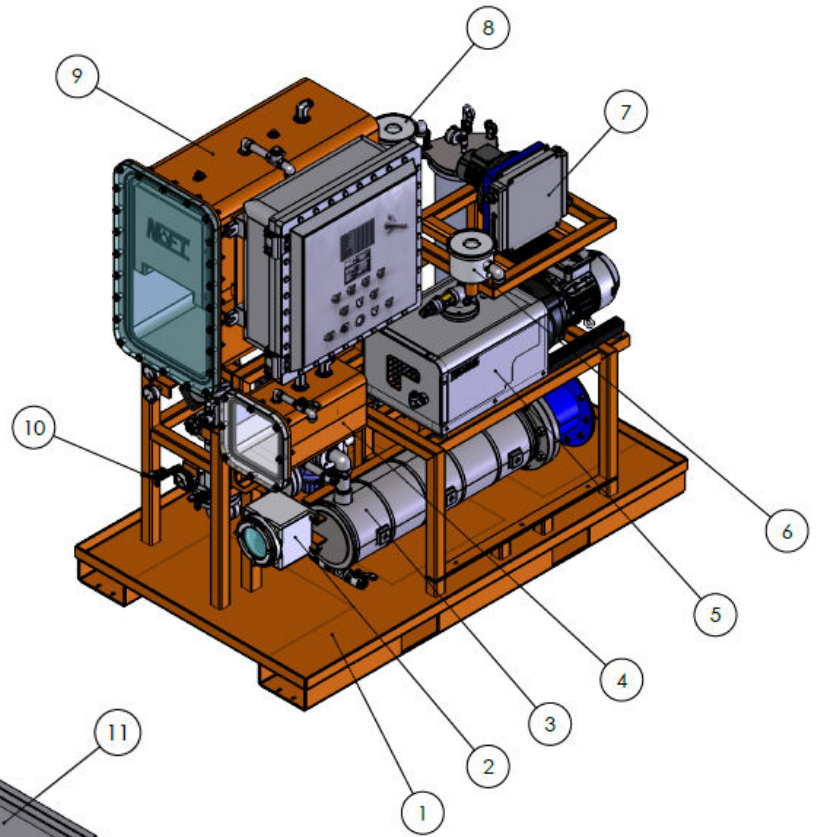


MAIN COMPONENTS:

ITEM	DESCRIPTION
1	BASE & FRAME
2	ENCLOSURE
3	HEATER
4	SUMP
5	VACUUM PUMP
6	COALESCER FILTER
7	CONDENSER
8	AIR FILTER
9	TOWER
10	DP GAUGE
11	ELECTRICAL ENCLOSURE
12	OUTLET FILTER
13	OUTLET
14	DISCHARGE PUMP
15	INLET

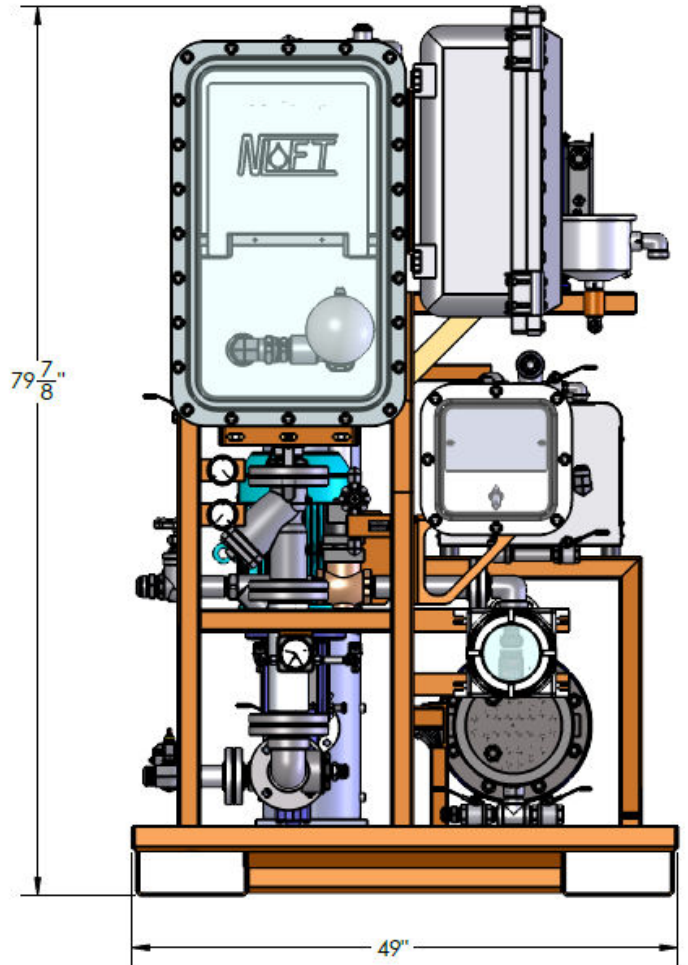
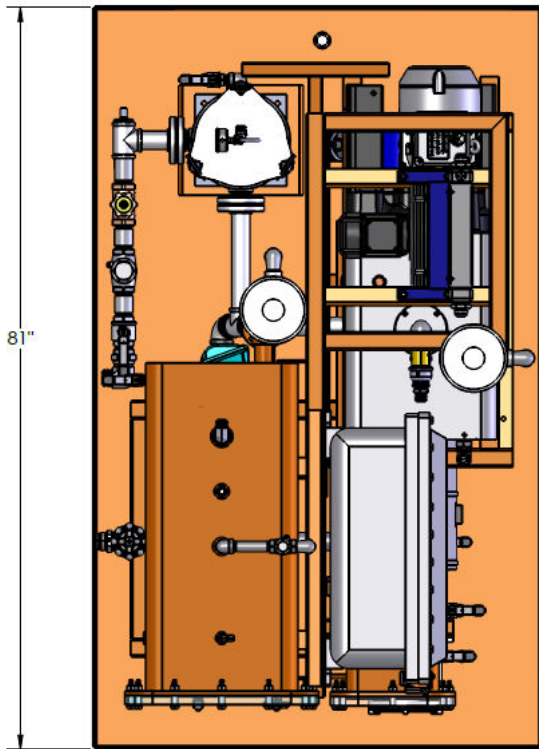


OPTIONAL FEATURES:

- AUTO WATER PURGE
- PARTICLE MONITOR
- MOISTURE/HUMIDITY PROBE
- LIFTING STRUCTURE
- MODULAR STRUCTURE
- SECOND INLET
- RECIRCULATING LINES
- CHOOSE YOUR COLOR
- ADD YOUR LOGO
- FILTER BYPASS
- TOWER BYPASS
- INLET PUMP
- CUSTOM INLET/OUTLET CONNECTIONS
- VARIOUS VOLTAGES AVAILABLE
- MANY MORE CUSTOM FEATURES!

STANDARD DIMENSIONS:

DIMENTION	INCHES
LENGTH	81"
WIDTH	49"
HEIGHT	79-7/8"



ENGINEERING SPECIFICATIONS:

VOLTAGE	460 V
PHASE	3 PHASE
FLA	48 A
INLET SIZE	1-1/2" JIC
OUTLET SIZE	1-1/2" JIC
COLOR	NLOFT ORANGE
HEATER	36 KW
MAX FLOW RATE	20 GPM
OIL FILTER ELEMENT	34" CARTRIDGE

7535 GARDNER RD, SAN ANTONIO, TX 78263
CALL NOW! (210)-648-3095