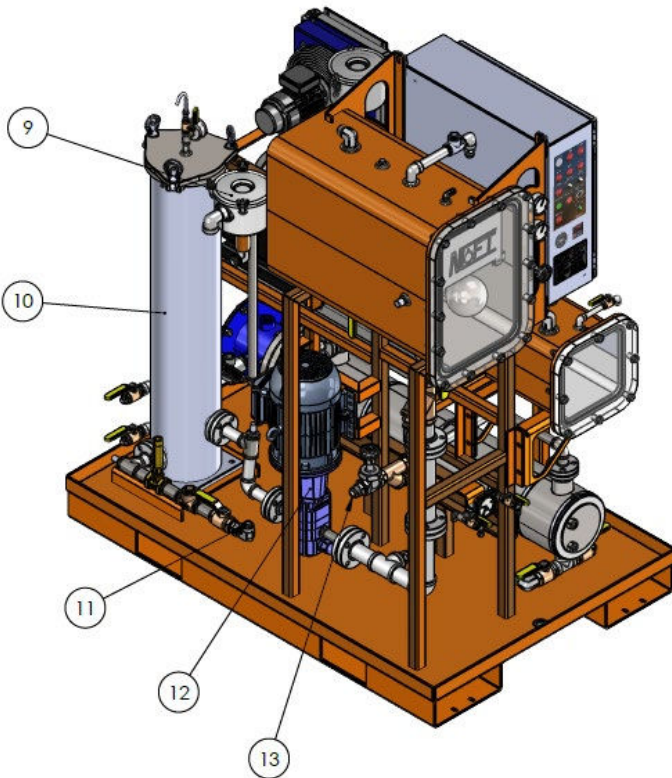
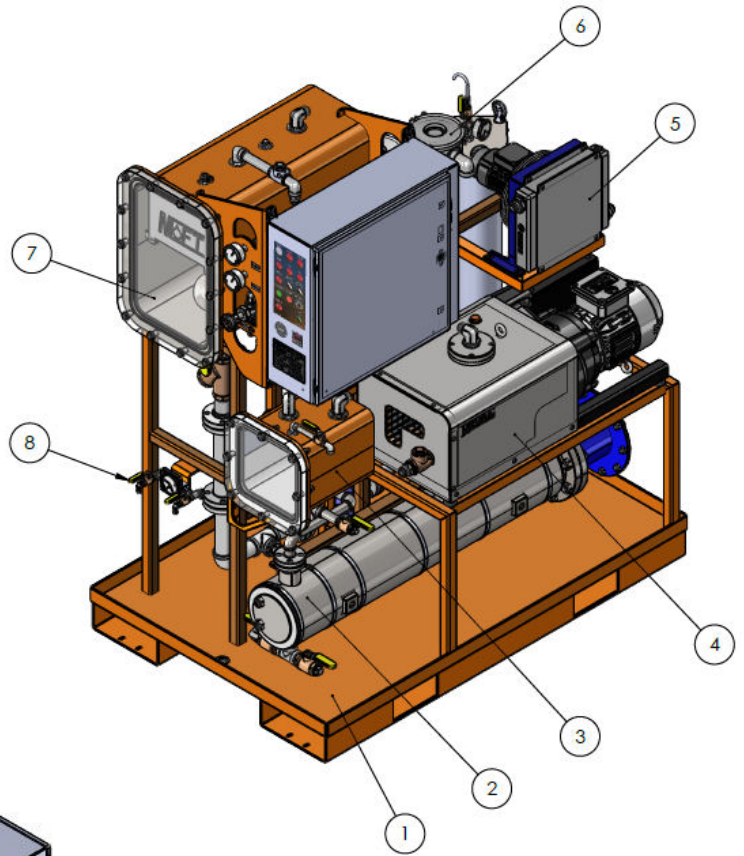


MAIN COMPONENTS:

ITEM	DESCRIPTION
1	BASE & FRAME
2	HEATER
3	SUMP
4	VACUUM PUMP
5	CONDENSER
6	AIR FILTER
7	TOWER
8	DP GAUGE
9	COALESCER FILTER
10	OUTLET FILTER
11	OUTLET
12	DISCHARGE PUMP
13	INLET



OPTIONAL FEATURES:

- AUTO WATER PURGE
- PARTICLE MONITOR
- MOISTURE/HUMIDITY PROBE
- LIFTING STRUCTURE
- MODULAR STRUCTURE
- SECOND INLET
- RECIRCULATING LINES
- CHOOSE YOUR COLOR
- ADD YOUR LOGO
- FILTER BYPASS
- TOWER BYPASS
- INLET PUMP
- CUSTOM INLET/OUTLET CONNECTIONS
- VARIOUS VOLTAGES AVAILABLE
- MANY MORE CUSTOM FEATURES!

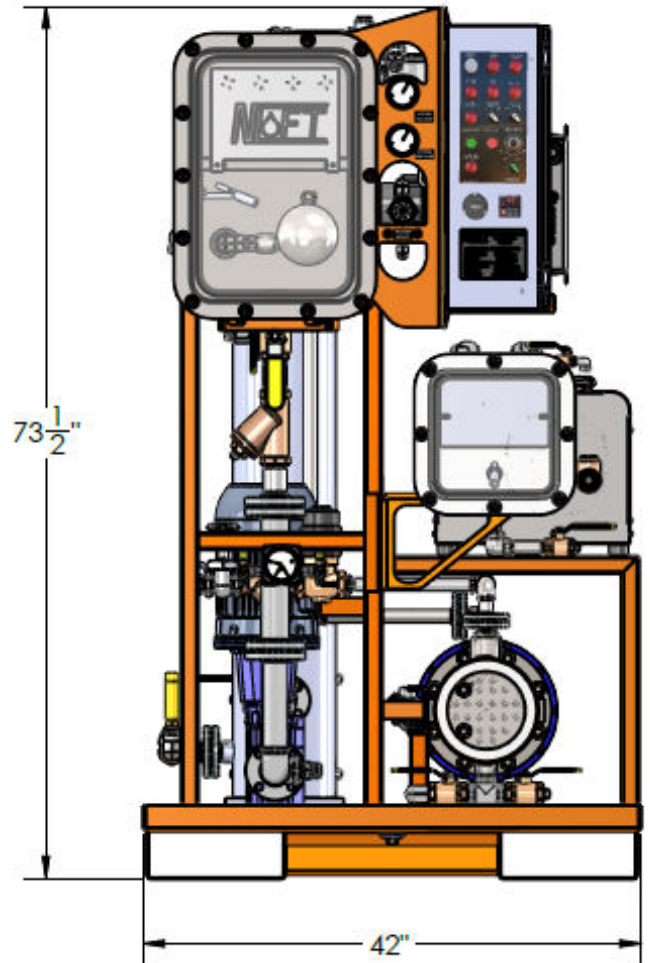
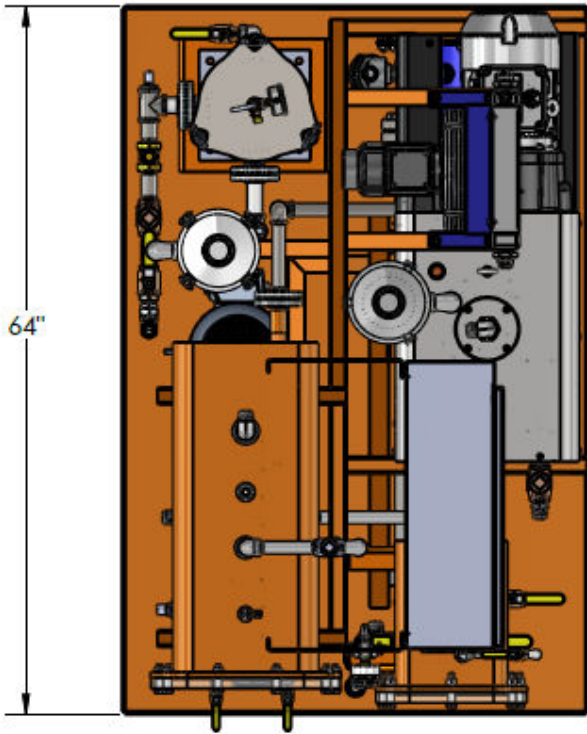


NO LIMIT OIL FILTRATION  
TECHNOLOGIES

WPRS-5/10-NEMA 4

STANDARD DIMENSIONS:

DIMENTION	INCHES
LENGTH	64"
WIDTH	42"
HEIGHT	73-1/2"



ENGINEERING SPECIFICATIONS:

	5GPM	10GPM
VOLTAGE	460 V	460 V
PHASE	3 PHASE	3 PHASE
FLA	29 A	45 A
INLET SIZE	3/4" JIC	1" JIC
OUTLET SIZE	3/4" JIC	1" JIC
COLOR	NLOFT ORANGE	NLOFT ORANGE
HEATER	16 KW	16 KW
MAX FLOW RATE	5 GPM	10 GPM
OIL FILTER ELEMENT	34" CARTRIDGE	34" CARTRIDGE

7535 GARDNER RD, SAN ANTONIO, TX 78263  
CALL NOW! (210)-648-3095