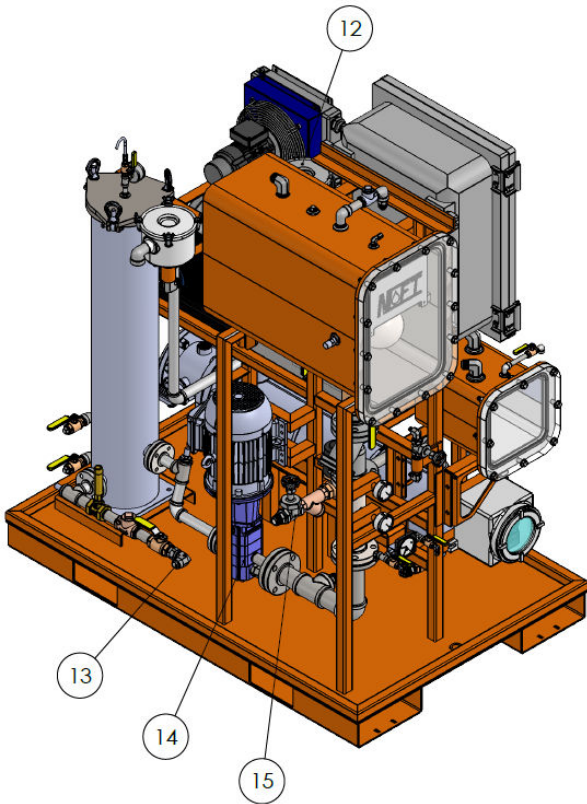
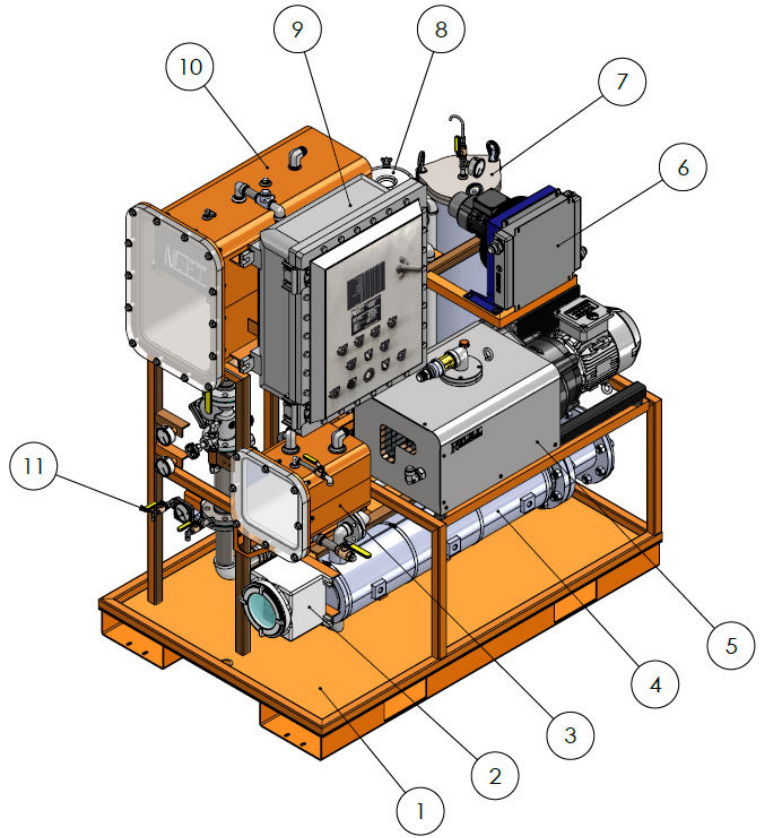


MAIN COMPONENTS:

| ITEM | DESCRIPTION |
|------|----------------------|
| 1 | BASE & FRAME |
| 2 | ENCLOSURE |
| 3 | SUMP |
| 4 | HEATER |
| 5 | VACUUM PUMP |
| 6 | CONDENSER |
| 7 | OUTLET FILTER |
| 8 | COALESCER FILTER |
| 9 | ELECTRICAL ENCLOSURE |
| 10 | TOWER |
| 11 | DP GAUGE |
| 12 | AIR FILTER |
| 13 | OUTLET |
| 14 | DISCHARGE PUMP |
| 15 | INLET |



OPTIONAL FEATURES:

- AUTO WATER PURGE
- PARTICLE MONITOR
- MOISTURE/HUMIDITY PROBE
- LIFTING STRUCTURE
- MODULAR STRUCTURE
- SECOND INLET
- RECIRCULATING LINES
- CHOOSE YOUR COLOR
- ADD YOUR LOGO
- FILTER BYPASS
- TOWER BYPASS
- INLET PUMP
- CUSTOM INLET/OUTLET CONNECTIONS
- VARIOUS VOLTAGES AVAILABLE
- MANY MORE CUSTOM FEATURES!

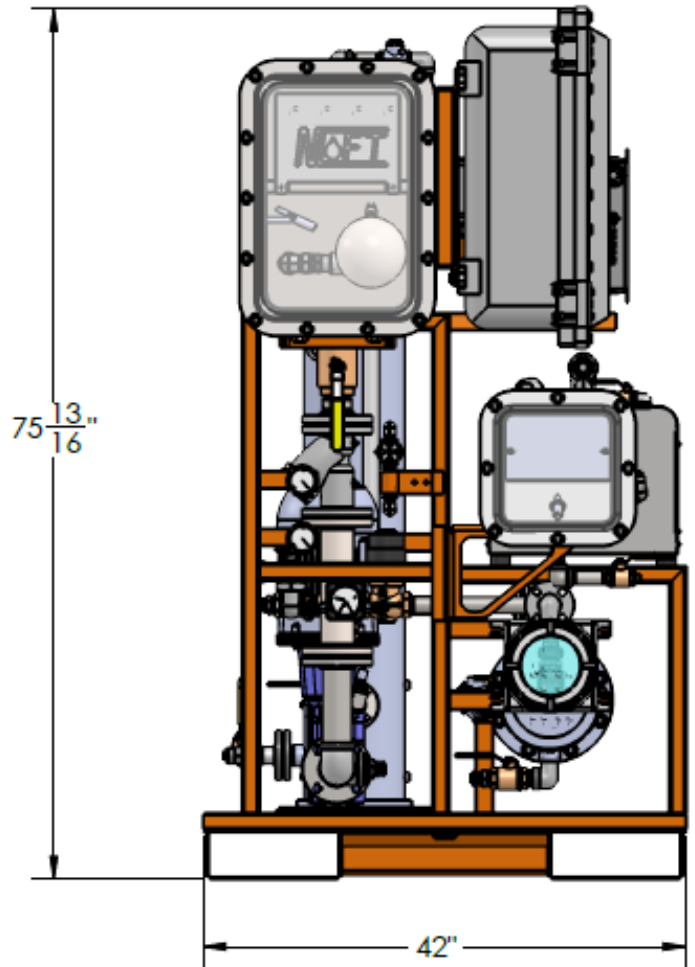
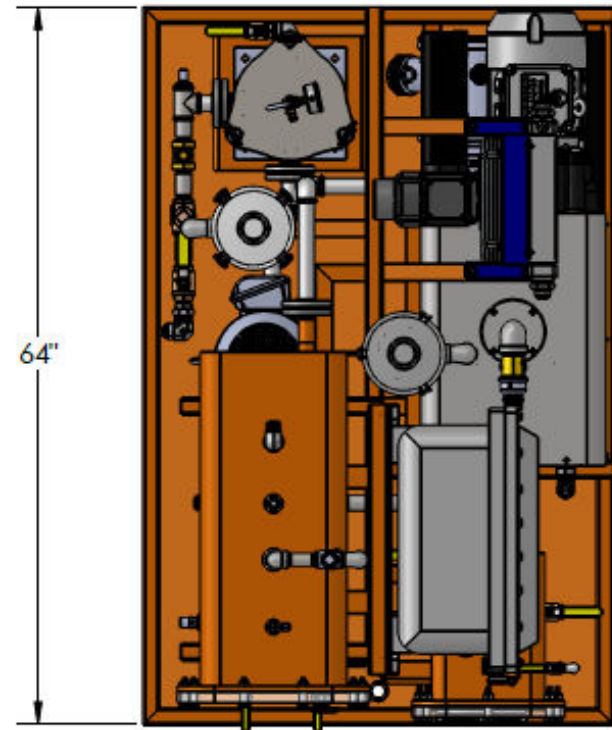


NO LIMIT OIL FILTRATION
TECHNOLOGIES

WPRS-5/10-NEMA 7

STANDARD DIMENSIONS:

| DIMENTION | INCHES |
|-----------|-----------|
| LENGTH | 64" |
| WIDTH | 42" |
| HEIGHT | 75-13/16" |



ENGINEERING SPECIFICATIONS:

| | 5GPM | 10GPM |
|--------------------|---------------|---------------|
| VOLTAGE | 460 V | 460 V |
| PHASE | 3 PHASE | 3 PHASE |
| FLA | 29 A | 45 A |
| INLET SIZE | 3/4" JIC | 1" JIC |
| OUTLET SIZE | 3/4" JIC | 1" JIC |
| COLOR | NLOFT ORANGE | NLOFT ORANGE |
| HEATER | 16 KW | 16 KW |
| MAX FLOW RATE | 5 GPM | 10 GPM |
| OIL FILTER ELEMENT | 34" CARTRIDGE | 34" CARTRIDGE |

7535 GARDNER RD, SAN ANTONIO, TX 78263
CALL NOW! (210)-648-3095