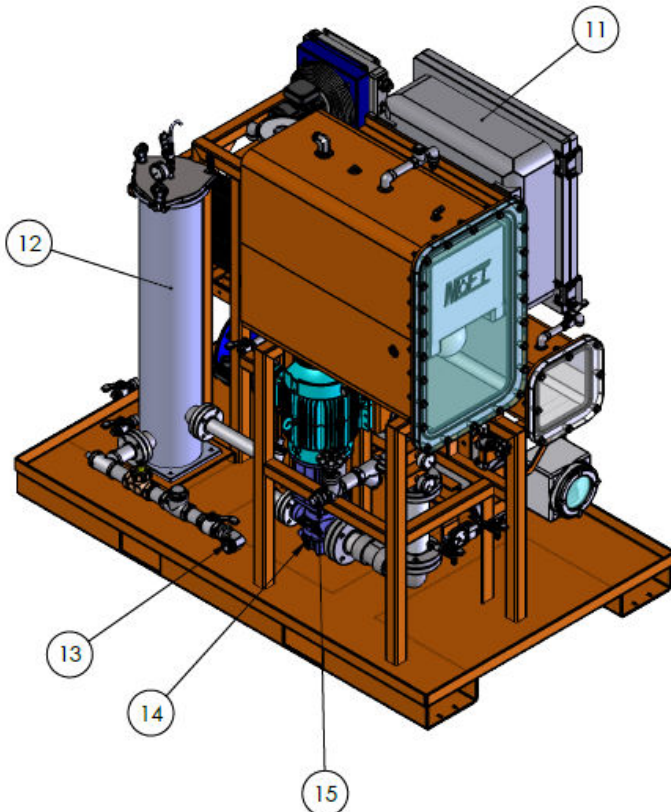
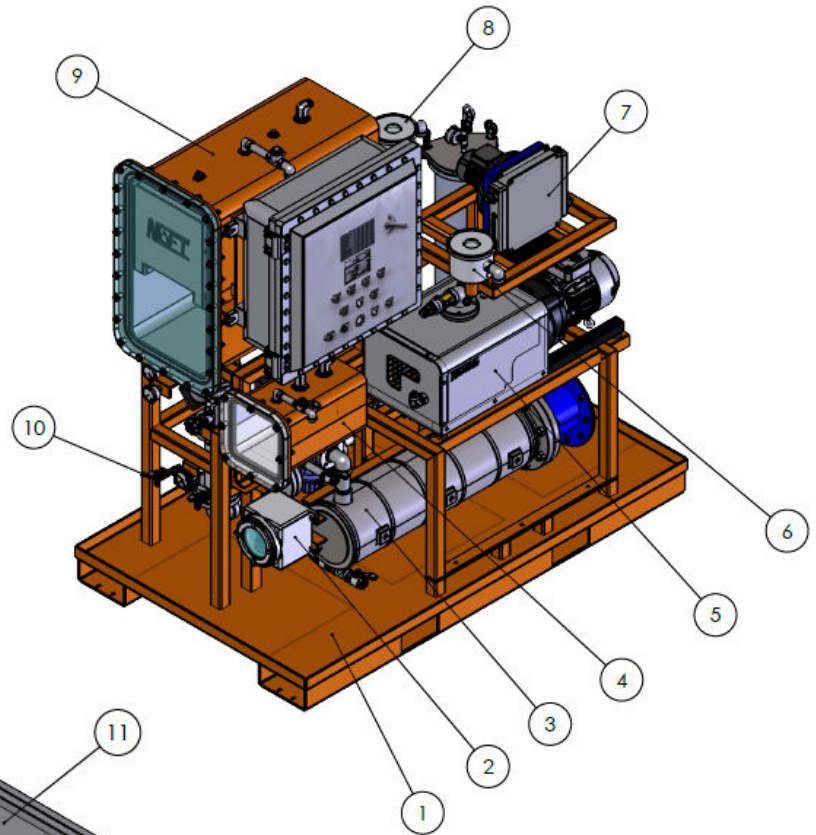


## MAIN COMPONENTS:

ITEM	DESCRIPTION
1	BASE & FRAME
2	ENCLOSURE
3	HEATER
4	SUMP
5	VACUUM PUMP
6	COALESCER FILTER
7	CONDENSER
8	AIR FILTER
9	TOWER
10	DP GAUGE
11	ELECTRICAL ENCLOSURE
12	OUTLET FILTER
13	OUTLET
14	DISCHARGE PUMP
15	INLET



## OPTIONAL FEATURES:

- AUTO WATER PURGE
- PARTICLE MONITOR
- MOISTURE/HUMIDITY PROBE
- LIFTING STRUCTURE
- MODULAR STRUCTURE
- SECOND INLET
- RECIRCULATING LINES
- CHOOSE YOUR COLOR
- ADD YOUR LOGO
- FILTER BYPASS
- TOWER BYPASS
- INLET PUMP
- CUSTOM INLET/OUTLET CONNECTIONS
- VARIOUS VOLTAGES AVAILABLE
- MANY MORE CUSTOM FEATURES!

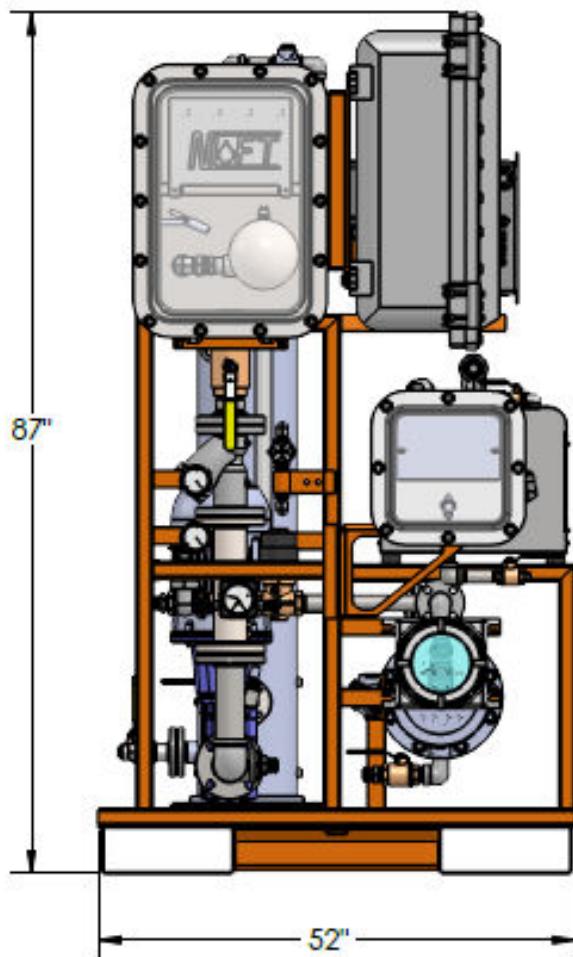
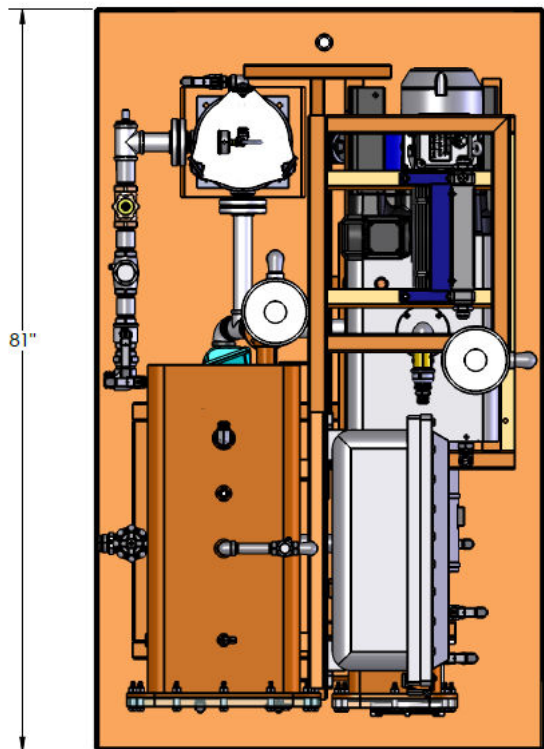


NO LIMIT OIL FILTRATION  
TECHNOLOGIES

WPRS-50-NEMA 7

### STANDARD DIMENSIONS:

DIMENTION	INCHES
LENGTH	81"
WIDTH	52"
HEIGHT	87"



### ENGINEERING SPECIFICATIONS:

VOLTAGE	460 V
PHASE	3 PHASE
FLA	98 A
INLET SIZE	2" JIC
OUTLET SIZE	2" JIC
COLOR	NLOFT ORANGE
HEATER	66 KW
MAX FLOW RATE	50 GPM
OIL FILTER ELEMENT	34" CARTRIDGE

7535 GARDNER RD, SAN ANTONIO, TX 78263  
CALL NOW! (210)-648-3095